

## Extended Ku-band 2W / 3W Block Upconverter

**MODEL NO. NJT5096 / 96F**

**MODEL NO. NJT5097 / 97F**



### <Features>

- \* Small Size & Light Weight
- \* High Efficiency Output Power  
(2W / 3W @P1dB over temperature)
- \* Low Power Consumption
- \* RoHS Compliance

### <Line-Up>

Model No.	RF Frequency	Local Frequency	IF Frequency	Output Power	Connector
NJT5096	13.75 to 14.25 GHz	12.80 GHz	950 to 1,450 MHz	2W (+33 dBm min.)	N-Type
NJT5096F					F-Type
NJT5097				3W (+35 dBm typ.)	N-Type
NJT5097F					F-Type

### <Specifications>

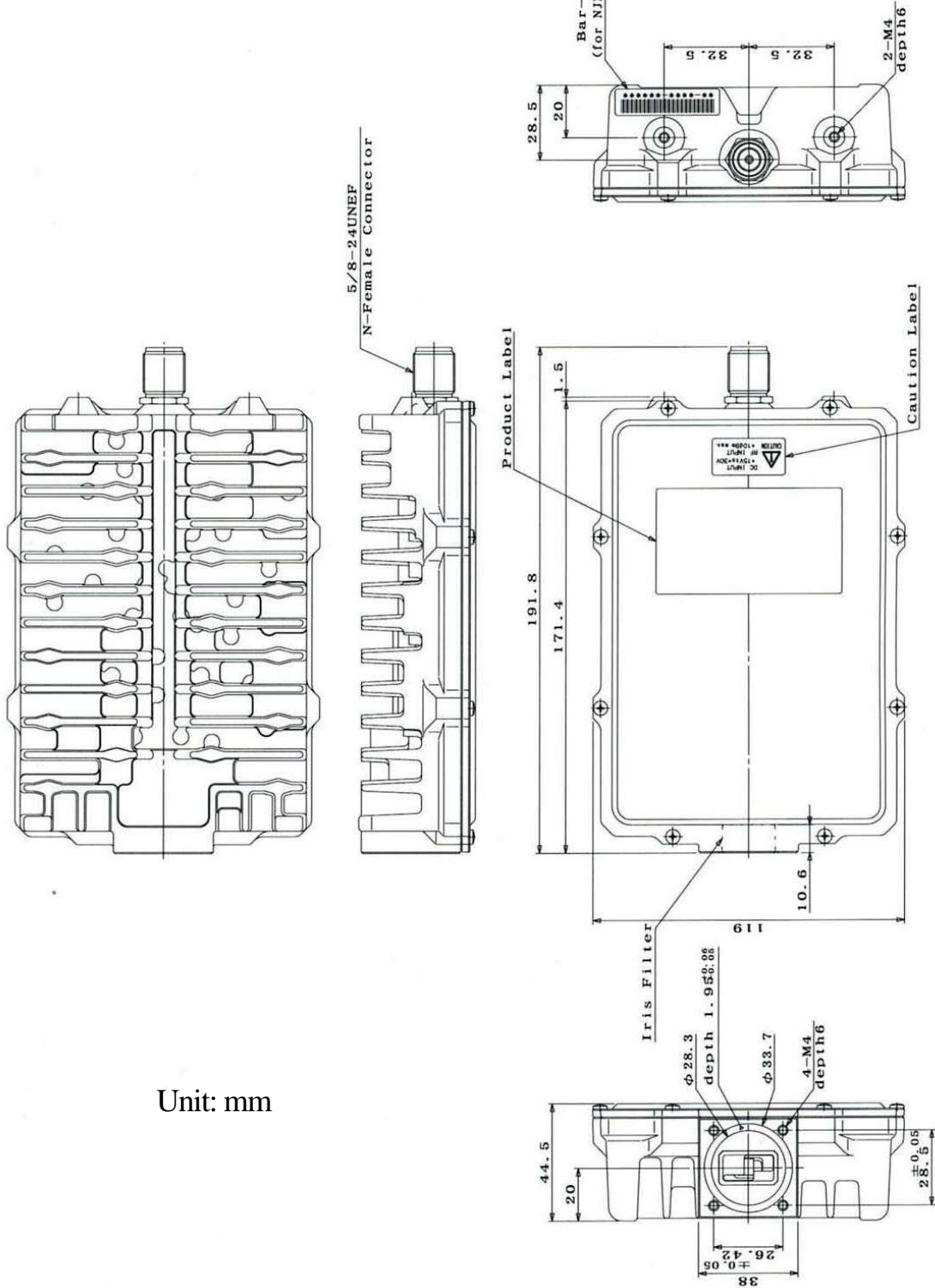
Item	Specifications
Output Interface	Waveguide, WR-75
Output Power @ P1 dB	+33 dBm minimum over temperature [NJT5096/96F] +35 dBm typical, +33 dBm minimum over temperature [NJT5097/97F]
Conversion Gain	53 dB nom.
Phase Noise (SSB)	-60 dBc/Hz max. @ 100 Hz -70 dBc/Hz max. @ 1 kHz -80 dBc/Hz max. @ 10 kHz -90 dBc/Hz max. @ 100 kHz
Required External Reference Signal	Frequency: 10 MHz Input Power: -5 to +5 dBm Phase Noise: -125 dBc/Hz max. @ 100 Hz -135 dBc/Hz max. @ 1 kHz -140 dBc/Hz max. @ 10 kHz
Input Interface	N-type, female (50 ohm) [NJT5096/97] F-type, female (75 ohm) [NJT5096F/97F]
Input / Output V.S.W.R.	2.0:1 max. @ Input 2.0:1 max. @ Output
Mute	Shut off the HPA in case of LO unlocked
Power Requirement	+15 to +30 V dc
Power Consumption	26 W max. [NJT5096/96F] 30 W max. [NJT5097/97F]
Operating Temperature	-40 to +55 degrees C
Storage Temperature	-40 to +75 degrees C

[CLICK HERE to buy now](#)

Item	Specifications
Size	191.8 mm (L) x 119 mm (W) x 44.5 mm (H) [7.55" (L) x 4.69" (W) x 1.75" (H)] (NJT5096/97) 186.7 mm (L) x 119 mm (W) x 44.5 mm (H) [7.35" (L) x 4.69" (W) x 1.75" (H)] (NJT5096F/97F)
Weight	1.2 kg max. [2.6 lbs]

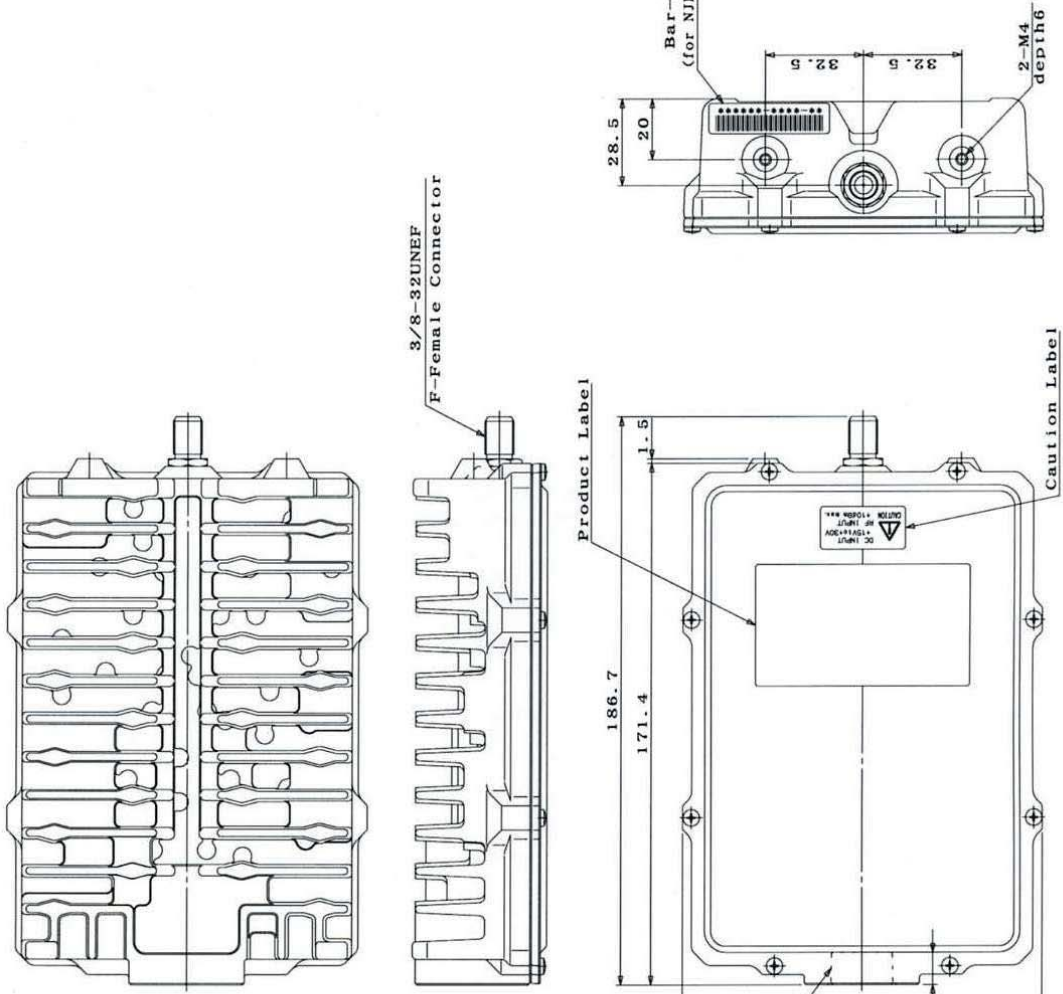
<Outline Drawing>

Type1 (N-type Female Input Connector):  
NJT5096/97

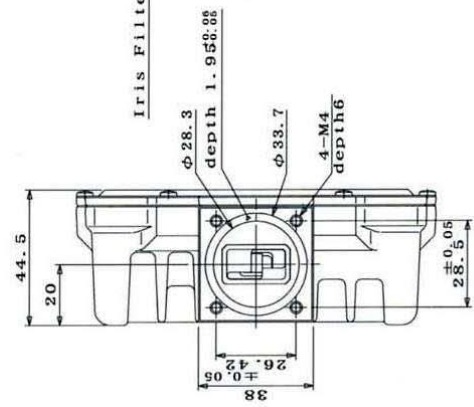
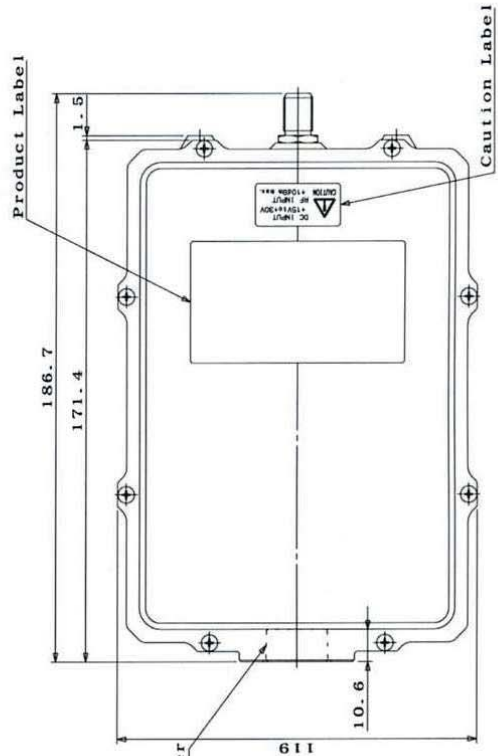


Unit: mm

Type2 (F-type Female Input Connector):  
NJT5096F/97F



Unit: mm



**JRC** *New Japan Radio Co., Ltd.*

**Satcom Resources**

Post Office Box 1639  
101 Eagle Road - Building #7  
Avon, Colorado 81620 USA  
970 748-3094 or tollfree 866 SATCOM1  
Fax 970 748-3096  
www.satcomresources.com